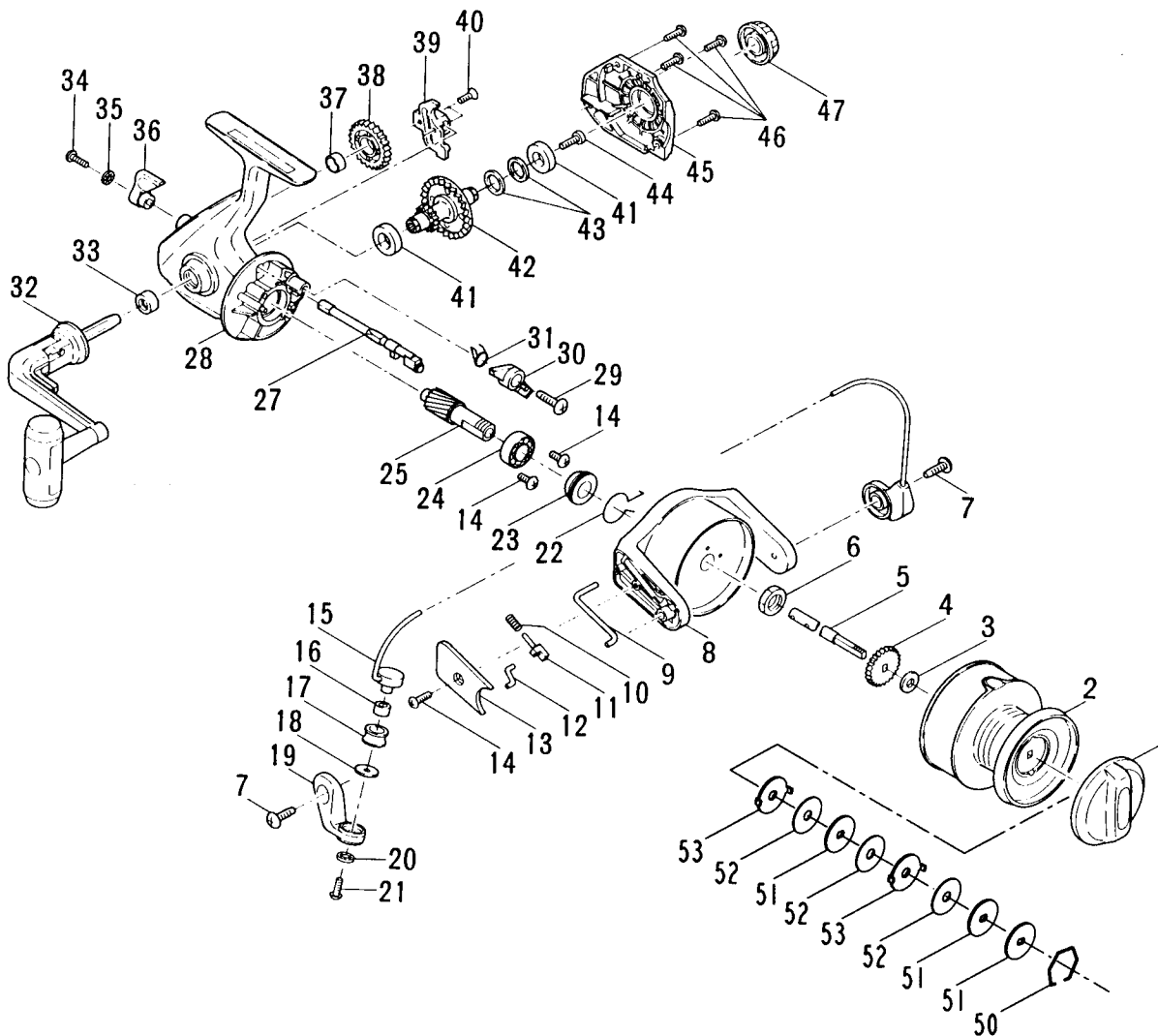




PARTS AND PRICE LIST FOR MODEL 3000



Key No.	Part No.	Description	Price	Key No.	Part No.	Description	Price
1	52-3000	Drag Knob Asm. w/Spring	\$5.50	28	1-3000	Housing	\$12.0
2	47-3000	Spool Assembly	23.00	29	3-3000	Dog Mounting Screw	.5
3	60-3000	Thrust Washer	.45	30	4-3000	Anti-Reverse Dog	.9
4	40B-3000	Click Ratchet	.80	31	4A-3000	Dog Spring	.8
5	39-3000	Spool Shaft	4.50	32	15-3000	Handle Assembly	12.0
6	38-3000	Rotor Nut	.45	33	15A-3000	Handle Spacer	.4
7	31A-3000	Arm Screw (2)	.45	34	6F-3000	Eccentric Lever Mtg. Screw	.4
8	27-3000	Rotor Cup	9.00	35	6G-3000	Thrust Washer	.4
9	28A-3000	Cam Lever	1.10	36	6E-3000	Eccentric Lever	.5
10	34C-3000	Pivot Spring	.50	37	231A-3000	Crosswind Gear Bushing	.4
11	34B-3000	Pivot Shaft	.45	38	231-3000	Crosswind Gear	1.2
12	34A-3000	Pivot Arm	.50	39	43-3000	Crosswind Gear Block	1.1
13	27A-3000	Bail Pivot Cover	2.25	40	44-1500	Screw	.4
14	22-875	Screw (3)	.50	41	2A-2000	Cover & Housing Bushing (2)	1.0
15	24-3000	Bail Wire Assembly	7.50	42	8-3000	Main Gear	4.0
16	35A-3000	Line Roller Bushing	.90	43	8A-3000	Main Gear Shim	.4
17	35-3000	Line Roller	2.25	44	9A-3000	Standard Drive Screw	.9
18	132-3000	Roller Washer	.80	45	45-3000	Housing Cover	5.7
19	34-3000	Bail Arm	2.25	46	46-1000	Cover Screw (4)	.4
20	22A-875	Washer	.50	47	233-3000	Bearing Cover	2.2
21	36-1000	Bail Stud Screw	.40	**48	48-2000	Spool Click Tongue	.4
22	230-3000	Silent Dog Spring	.45	**49	22-1000	Click Tongue Screw	.5
23	19A-3000	Pinion Spacer	.50	50	51-3000	Drag Retaining Ring	.4
24	20-3000	Ball Bearing	7.50	51	57-3000	Keyed Drag Washer (3)	.6
25	19-3000	Pinion Gear	4.50	52	6-3000	Teflon Drag Washer (3)	.5
27	6A-3000	Eccentric Shaft	2.30	53	58-3000	Ear Drag Washer (2)	.7